

240v Detectors from Conson

- PIR or microwave sensors available
- Each variant is available as a standard, two channel or DSI/DALI configuration
- Made in Europe
- Designed to be efficiently installed on site. No master / slave wiring required
- Five year warranty
- Programming is quick and efficient from floor level using a simple remote control
- Standard microwave sensor (MWS6A) has a detection area of 12-16 meters from an average ceiling. In a typical hallway this could you save 50% on installation time, save 20% on hardware cost and have the highest quality of motion detection

Summary						
	Range (diameter) @ 2.8m	Lux Sensing	Run on Time	Warranty	Typical Use	Datasheet
PIR						
EBDSPIR	7m	✓	10sec. - 99min.	5 years	General	
EBMPIR	7m	✓	10sec. - 99min.	5 years	General (miniature detector)	
EBDHS	40m	✓	10sec. - 99min.	5 years	High Bay / Warehouses / Factories	
Microwave						
MWS1A	30m	✓	10sec. - 99min.	5 years	Wall Mount External / Car parks	
MWS3A	22-30m	✓	10sec. - 99min.	5 years	Hallways / Carparks / Large Rooms	
MWS5	8m	✓	10sec. - 99min.	5 years	General (miniature detector)	
MWS6A	14-16m	✓	10sec. - 99min.	5 years	General	

Popular Detectors

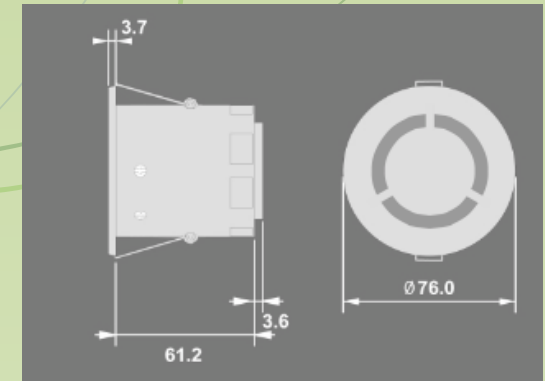
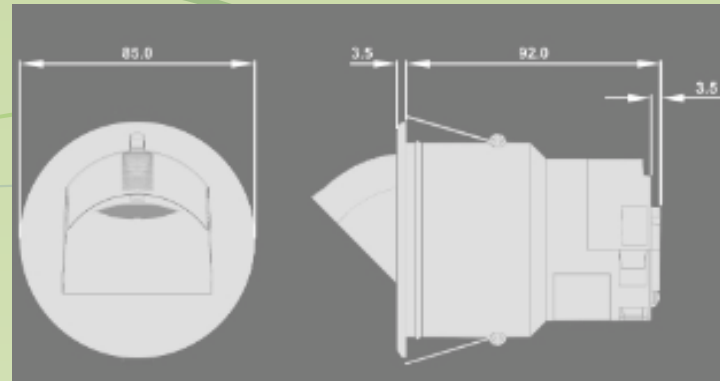
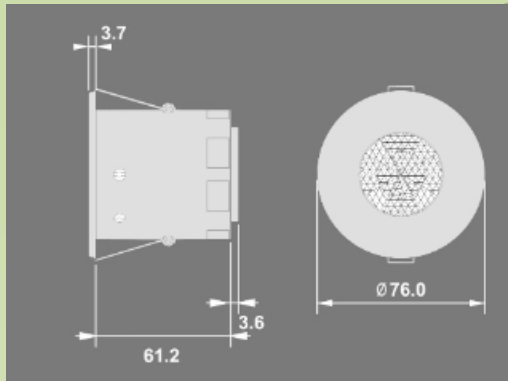
EBDSPIR



MWS3A



MWS6A



Joe Aprile
joe@conson.com.au
0409 660 066

Patrick Micalizzi
patrick@conson.com.au
0433 915 510