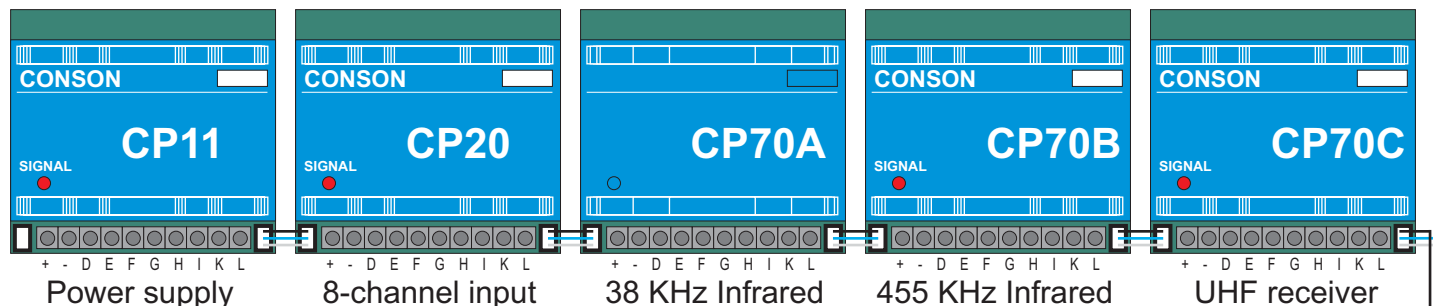
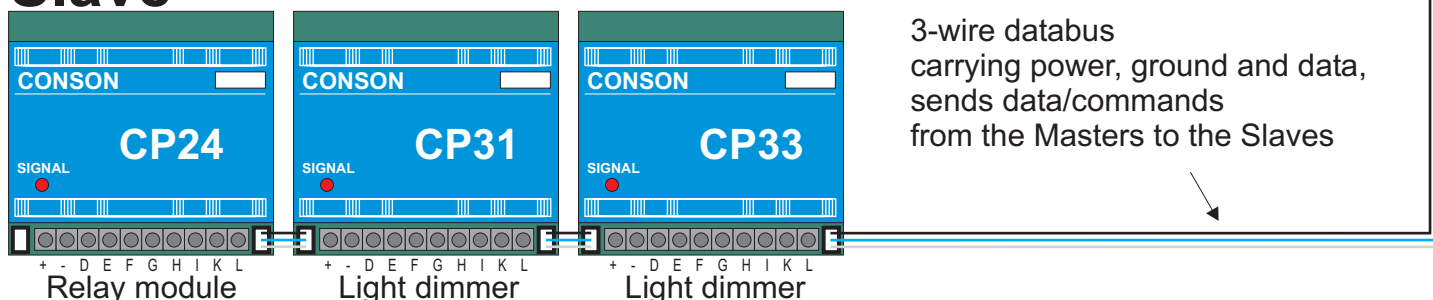


How Conson works

Masters



Slave



Please learn more by visiting <http://www.conson.dk>

The Conson Light System is a centralized system mounted on a DIN rail system.

A number of Slaves (relays or light dimmers) are controlled by a number of Masters (switches, infrared, radiowave).

Masters and Slaves are connected by a 3-wire databus.

A Master typically has 8 inputs. When an input is activated or deactivated, a command is sent on the data-bus, and received by all slaves at the same time.

This command informs the Slaves, about which type of Master is sending the command, which input is being used, and whether the input is activated or deactivated.

The Slaves are programmed to react

individually on one or more commands. This means that one command for example can control the light in the livingroom, and draw the curtains at the same time, while another command tells all Slaves to turn off everything.

MASTERS

CP20 is an 8-channel ground-active input module, which typically reads switches, relays, etc. You can have up to 4 CP20's working on the same databus.

CP70A is an InfraRed receiver for a special Conson's (Siemens) infrared transmitter. Not supported.

CP70B is an InfraRed receiver for Bang&Olufsen infrared transmitter. You can have up to 4 CP70B's working on the same databus.

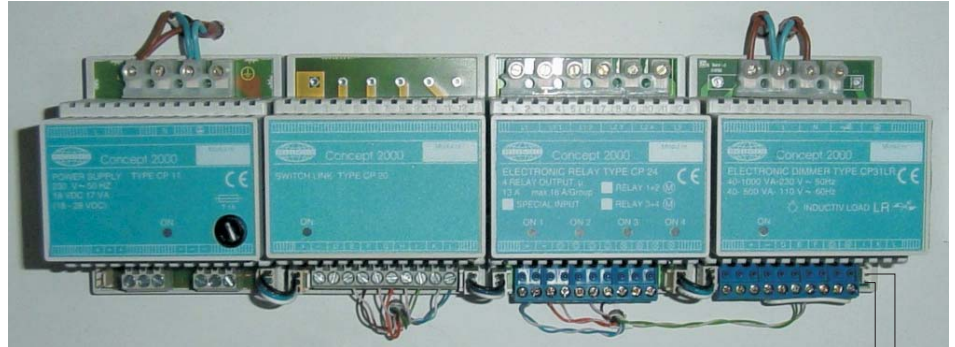
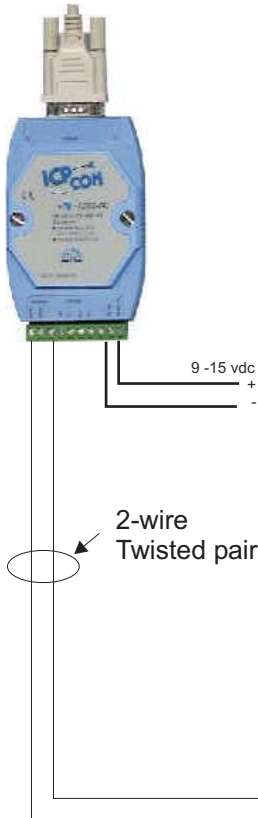
CP70C is a RadioWave (40 MHz) receiver for Conson RF remote

control. You can have up to 4 CP70B's working on the same databus.

Controlling Conson



RS232 / RS485 converter
USB / RS485 converter



From software Version 1.05 you may control a Conson Light System from a PC and have two indicator groups returned for monitor purpose. (See next page for installation).

The PC is connected by an RS232/RS485 converter, and runs to the TableTop-product which for example is located in your livingroom.

The digital Output is connected to the Conson databus. You can then send up to 128 Commands from the PC to the Conson databus or remote control in order to dim lights Up/Down and/or turn relays On/Off.

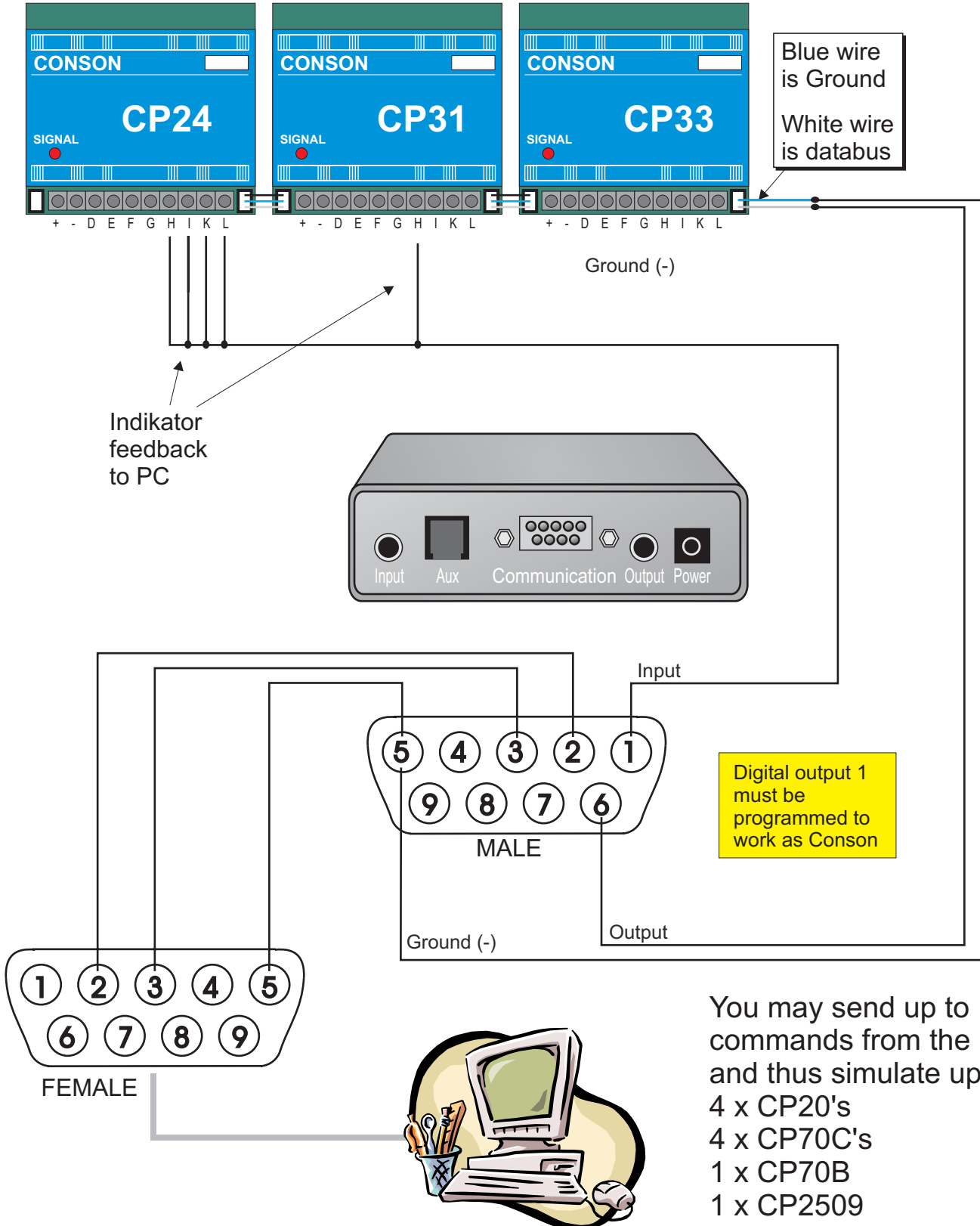


BEO4
remote control

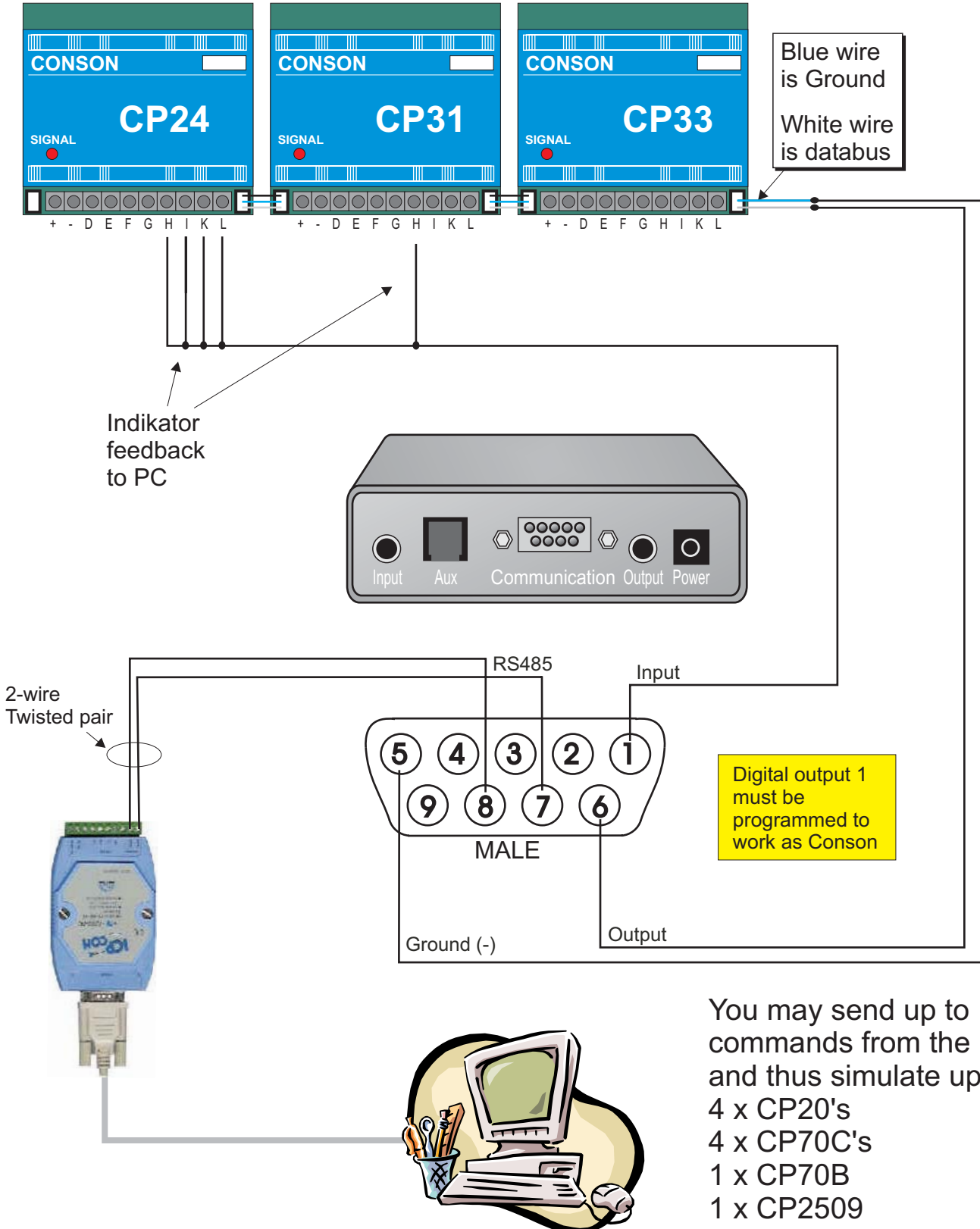


The CONSON
output simulates up to:
4 x CP20's
4 x CP70C's
1 x CP70B
1 x CP2509

TableTop, RS232



TableTop, RS485



FUGA-IR-455, RS485

